

# BLAGDON

## B06

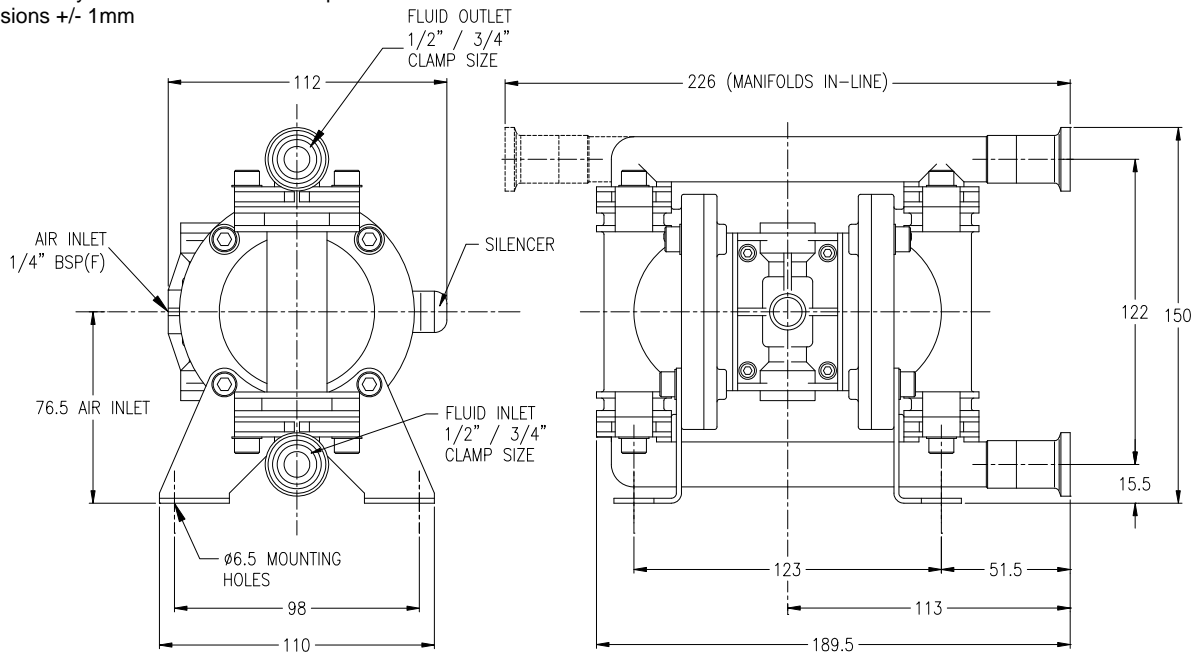
### AIR OPERATED DOUBLE DIAPHRAGM PUMP

Metallic FDA Series

B06

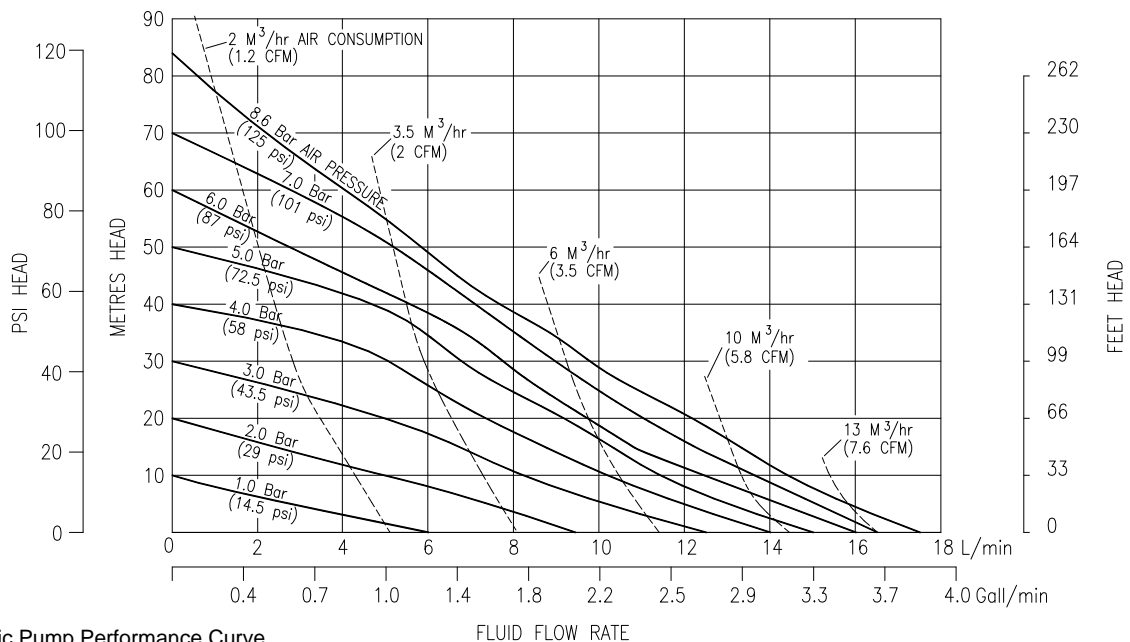
DIMENSIONS

General Assembly :- B06 Metallic FDA Pump  
All dimensions +/- 1mm



B06

PERFORMANCE



B06 Metallic Pump Performance Curve  
Performance based on water at ambient temperature

<b>FLUID CONNECTIONS</b> 1/2" - 3/4" TRI-CLAMP SIZE (Other options available)	<b>CAPACITY</b> 0 - 18 Litres/Minute (0 - 3.9 Gallons/Minute)	<b>MAX SOLIDS</b> 1 MM (1/16")	<b>MAX DISCHARGE HEAD</b> 88 Meters (289 ft)	<b>DISPLACEMENT/STROKE</b> 0.022 Litres (0.0049 UK Gallons)
<b>MAX. WORKING PRESSURE</b> 8.6 Bar (125 psi)	<b>AIR INLET</b> 1/4" BSP (F)	<b>TEMPERATURE LIMITS</b> Determined by Elastomers		<b>PUMP WEIGHTS :-</b> SS :- 4.0 Kg

ⓘ **Caution - Operating temperature limitations are as follows:**

Operating Temperatures

**Materials**

Maximum

Minimum

Optimum

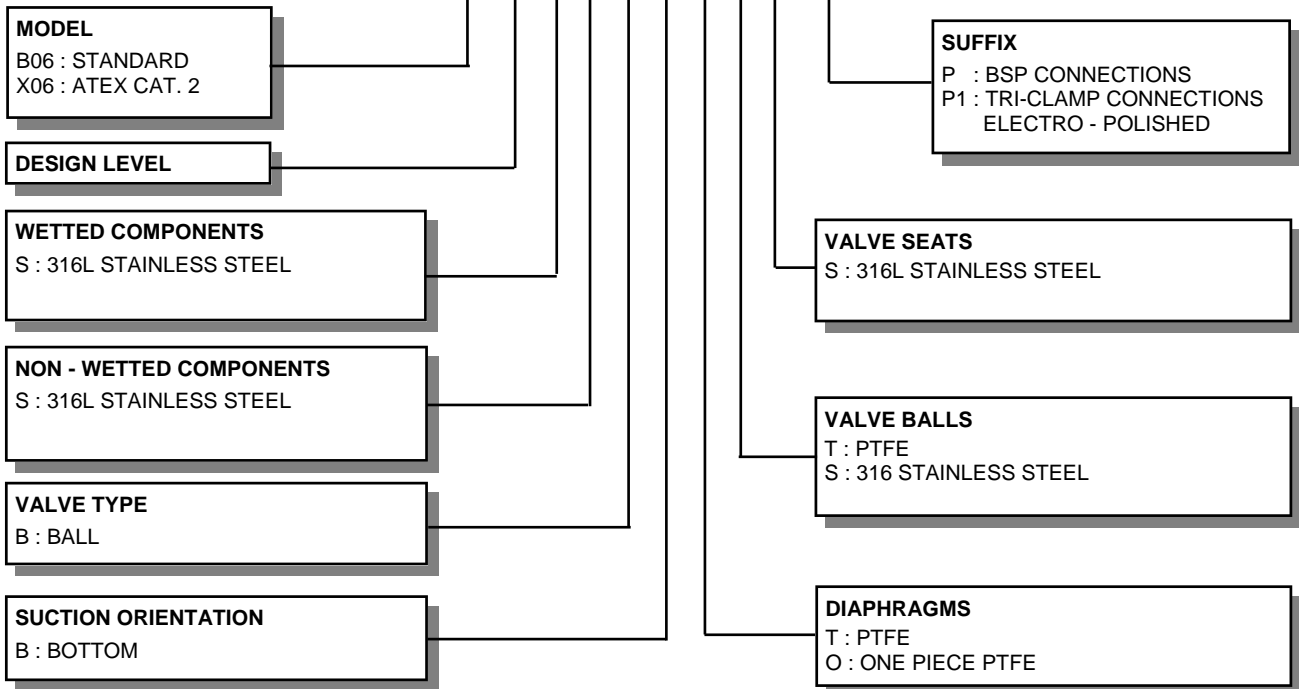
**PTFE** - Chemically inert, virtually impervious. Very few chemicals are known to react chemically with PTFE : molten alkali metals, turbulent liquid or gaseous fluorine and a few fluoro-chemicals such as chlorine trifluoride or oxygen difluoride which readily liberate free fluorine at elevated temperatures.

356°F  
180°C

32°F  
0°C

50° to 212°F  
10° to 100°C

**TYPICAL CODE = B06.04.S S. B B. T T S - P 1**



**IMPORTANT**

This pump should be used in accordance with the requirements of the Health and Safety at Work Act 1974. All business conducted subject to Blagdon Pump. Terms and Conditions of Sale, available on request.



LAMBERT ROAD, ARMSTRONG, WASHINGTON,  
TYNE & WEAR NE37 1QP ENGLAND.  
TEL. : 0044 (0) 191 4177475  
FAX. : 0044 (0) 191 4175435  
Web Site : www.blagdonpump.com  
E-Mail : sales@blagdonpump.com