



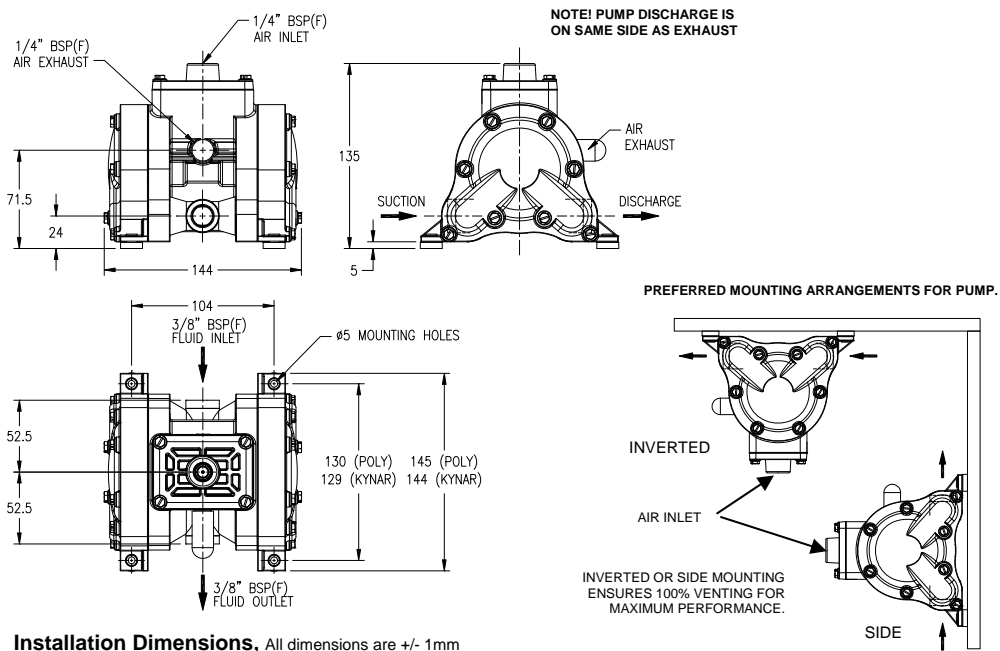
# BLAGDON

## B10

AIR OPERATED  
DOUBLE DIAPHRAGM PUMP

### B10

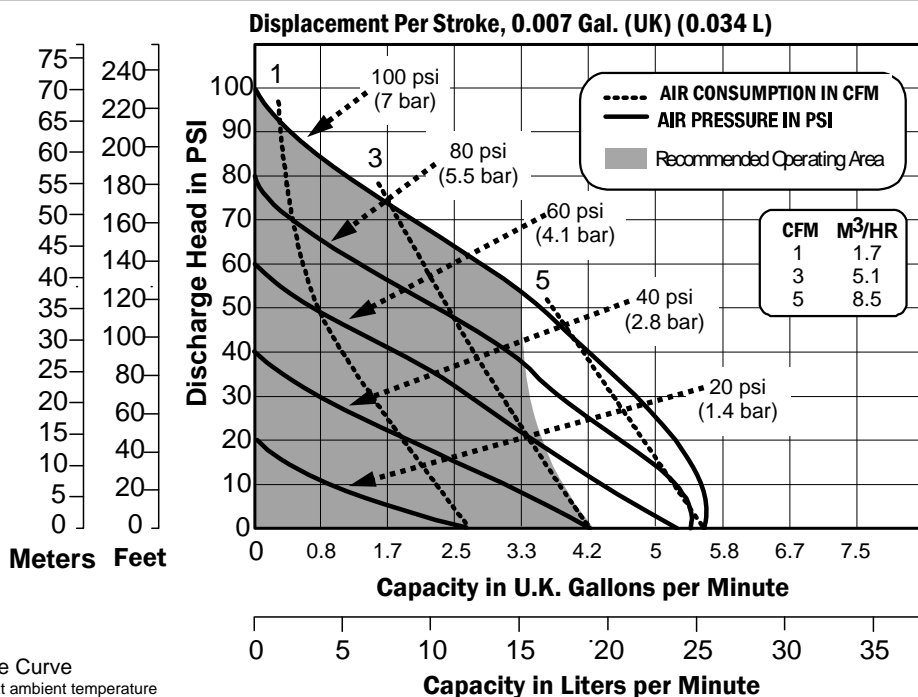
### DIMENSIONS



Installation Dimensions, All dimensions are +/- 1mm

### B10

### PERFORMANCE



B10 Pump Performance Curve  
Performance based on water at ambient temperature

**TECHNICAL DATA**

<b>Maximum Delivery:</b>	26.5 Litres/min		<b>Accessories Included:</b>	Exhaust Air Silencer
<b>Max. Working Pressure:</b>	6.9 Bar (100 psi)		<b>Shipping Weight:</b>	1.4 Kg (3.0 Lb)
<b>Max. Solid Particle Size:</b>	1.5 mm (1/16")		<b>Shipping Dimensions:</b>	160 mm x 230 mm x 120 mm
<b>Air Inlet:</b>	1/4" BSP(F)		<b>Fluid Inlet/Outlet:</b>	3/8" BSP(F)
<b>Suction Lift (Dry):</b>	3.05 M (10')		<b>Temperature Limits:</b>	Minimum -23°C (-10°F) Maximum 65°C (150°F)
<b>Suction Lift (Wet):</b>	6 M (20')		<b>dB(A) Rating</b>	78 dB(A)

FLUID CONNECTIONS	CAPACITY	MAX SOLIDS	MAX DISCHARGE HEAD	DISPLACEMENT /STROKE
3/8" BSP (F)	0 - 26.5 Liters/Minute (0 - 5.8 Gallons/Minute)	1.5 mm (1/16")	70 Meters (230 ft)	0.034 Litres (0.007 Gallons U.K.)

**ⓘ Caution - Operating temperature limitations are as follows:**

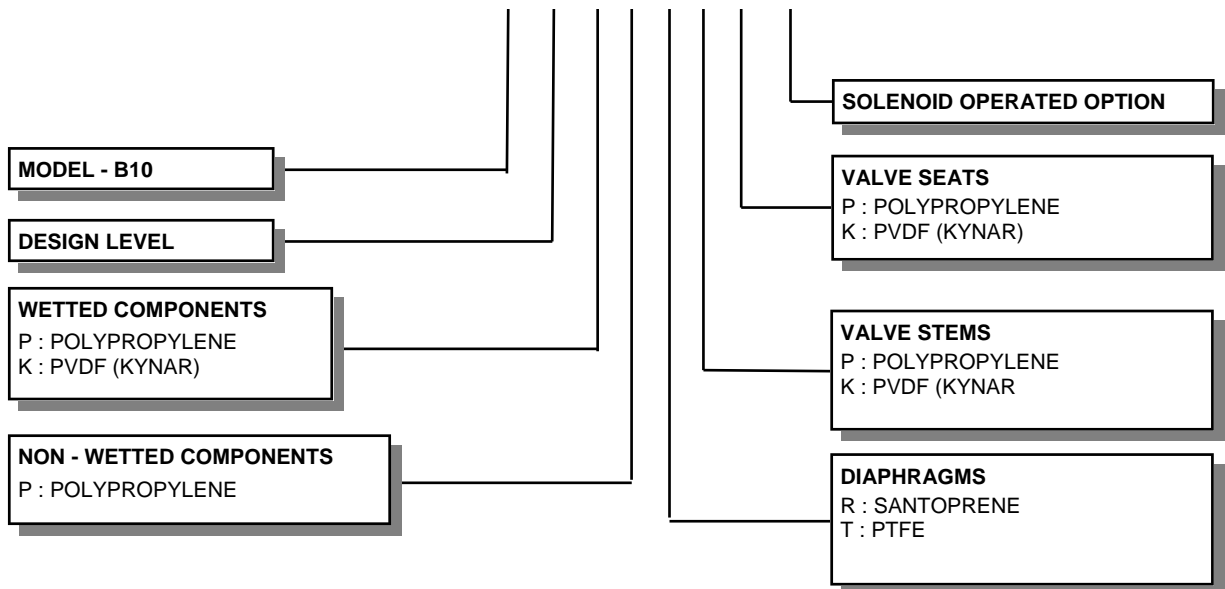
Operating Temperatures

**Materials**

Maximum Minimum Optimum

<b>Santoprene®</b> - Injection moulded thermoplastic elastomer with no fabric layer. Long mechanical flex life. Excellent abrasion resistance.	212°F 100°C	-10°F -23°C	50° to 212°F 10° to 100°C
<b>PTFE</b> - Chemically inert, virtually impervious. Very few chemicals are known to react chemically with PTFE : molten alkali metals, turbulent liquid or gaseous fluorine and a few fluoro-chemicals such as chlorine trifluoride or oxygen difluoride which readily liberate free fluorine at elevated temperatures.	356°F 180°C	32°F 0°C	50° to 212°F 10° to 100°C
<b>Polypropylene</b> - High strength, light weight, corrosion resistant polyolefin which easily withstands most chemicals, with no known solvent at room temperature.	158°F 70°C	-40°F -40°C	50° to 140°F 10° to 60°C

**TYPICAL ORDER CODE = B10. 01. P P. R P P - 418**



**IMPORTANT**

This pump should be used in accordance with the requirements of the Health and Safety at Work Act 1974. All business conducted subject to Blagdon Pump. Terms and Conditions of Sale, available on request.



LAMBERT ROAD, ARMSTRONG, WASHINGTON,  
TYNE & WEAR NE37 1QP ENGLAND.  
TEL. : 0044 (0) 191 4177475  
FAX. : 0044 (0) 191 4175435  
Web Site : www.blagdonpump.com  
E-Mail : sales@blagdonpump.com