



BLAGDON

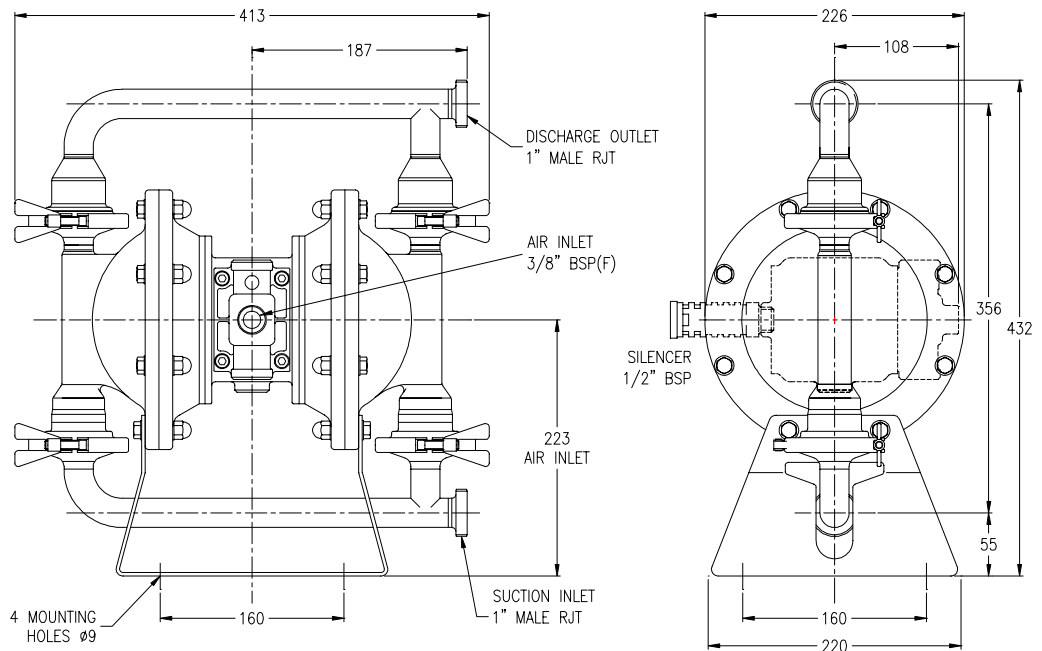
B25 & X25

AIR OPERATED DOUBLE DIAPHRAGM PUMP

1" Hygienic Series

B25

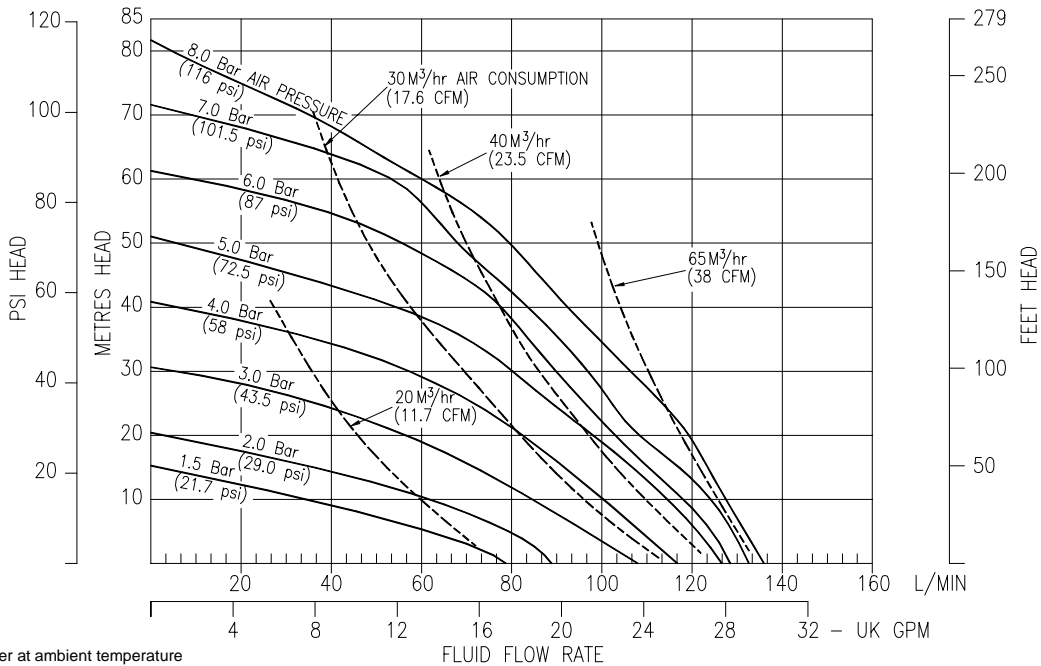
DIMENSIONS



General Assembly :-
B25 Hygienic Pump
All dimensions +/- 3mm

B25

PERFORMANCE



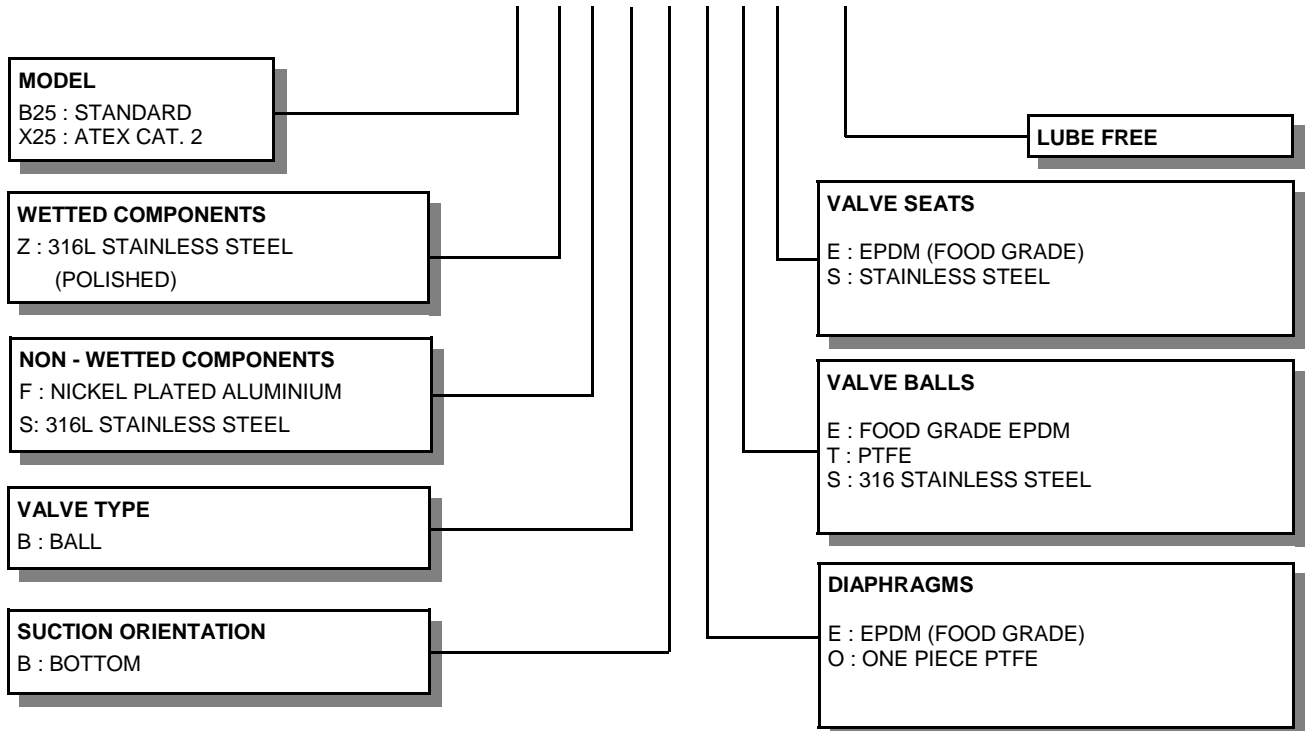
B25 Hygienic Pump
Performance Curve
Performance based on water at ambient temperature

FLUID CONNECTIONS 1" RJT Male	CAPACITY 0 - 136 Litres/Minute (0 - 30 Gallons/Minute)	MAX SOLIDS 5 MM (3/16")	MAX DISCHARGE HEAD 88 Meters (289 ft)	DISPLACEMENT/STROKE 0.5 Litres (0.11 UK Gallons)
MAX. WORKING PRESSURE 8.6 Bar (125 psi)	AIR INLET 3/8" BSP (F)	TEMPERATURE LIMITS Determined by Elastomers		PUMP WEIGHTS :- 21.5 Kg

Materials	Operating Temperatures		
	Maximum	Minimum	Optimum
EPDM - Shows very good water and chemical resistance. Has poor resistance to oils and solvents, but is fair on ketones and alcohols.	212°F 100°C	-11°F -24°C	50° to 212°F 10° to 100°C
PTFE - Chemically inert, virtually impervious. Very few chemicals are known to react chemically with PTFE : molten alkali metals, turbulent liquid or gaseous fluorine and a few fluoro-chemicals such as chlorine trifluoride or oxygen difluoride which readily liberate free fluorine at elevated temperatures.	356°F 180°C	32°F 0°C	50° to 212°F 10° to 100°C

- Gentle pumping action to avoid damage to food and beverage products.
- Range of RJT/DIN/FERRULE connections.
- Self priming for emptying containers.
- Food grade elastomers – EPDM / PTFE
- Pressures to 8.6 bar.
- Capable of handling high viscosity & SG fluids.
- Certified CIP cleanable.
- EU Design approval
- 316L Stainless Steel

TYPICAL CODE = **B25.Z F. B B. E E E - L F**



IMPORTANT

This pump should be used in accordance with the requirements of the Health and Safety at Work Act 1974. All business conducted subject to Blagdon Pump. Terms and Conditions of Sale, available on request.



LAMBERT ROAD, ARMSTRONG, WASHINGTON,
TYNE & WEAR NE37 1QP ENGLAND.
TEL. : 0044 (0) 191 4177475
FAX. : 0044 (0) 191 4175435
Web Site : www.blagdonpump.com
E-Mail : sales@blagdonpump.com